



STAINLESS STEEL PRESSURE GAUGE

Model: P-260

SPECIFICATION

- Nominal Diameter: 4"(100mm)
- Working Medium: Water, Air, Oil...
- Connection: 1/2" BSP Bottom Entry
- Ambient Temperature: -10 °C to 60 °C
- Fluid Temperature: -5 ~ 40°C
- Accuracy: ±1.5% of Full Scale
- Operating Pressure: 75% of Full Scale Value

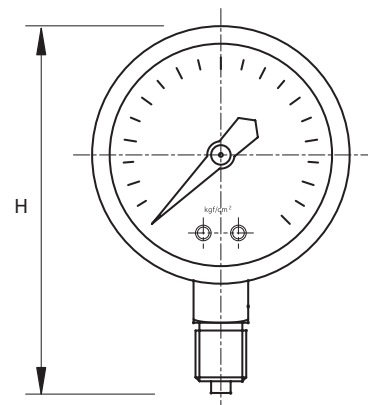


PRESSURE RANGE

- Range: -760mmHg ~ + 4 Kgf/cm², 0 ~ 10 Kgf/cm²
0 ~ 16 Kg/cm², 0 ~ 25 Kgf/cm²

MATERIALS

| Description | Material |
|--------------|---------------------|
| Case | Stainless steel 316 |
| Window | Glass |
| Bourdon tube | Stainless steel 316 |
| Movement | Stainless steel 316 |



DIMENSIONS (MM)

| DIAMETER | | H1 | L | H |
|----------|-----|-----|----|-----|
| 4" | 100 | 110 | 37 | 137 |

